

Look up the verses and fill in the blanks.

Proverbs 13:11

Dishonest _____ dwindles
away, but he who _____
money little by little makes it

_____ .

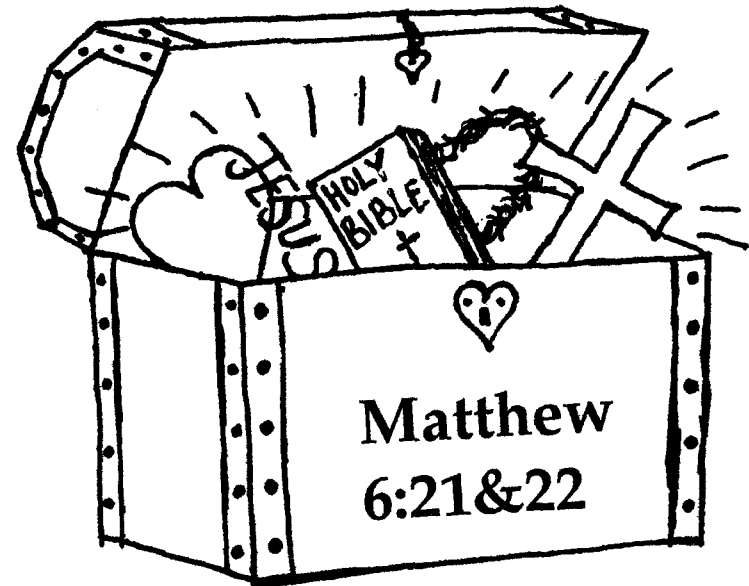
2 Corinthians 9:6&7

Remember this: Whoever _____
sparingly will also reap sparingly, and
whoever sows

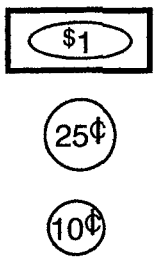
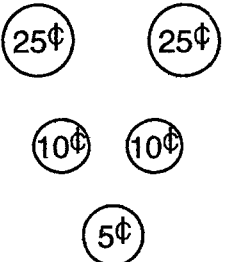
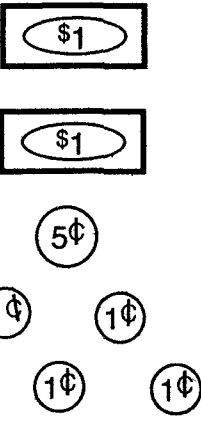
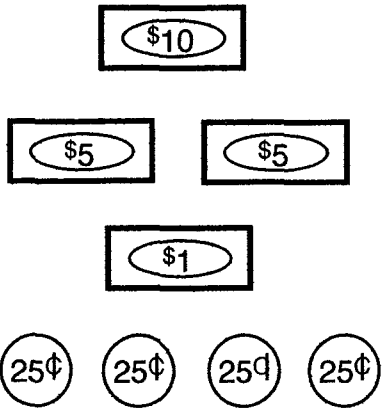
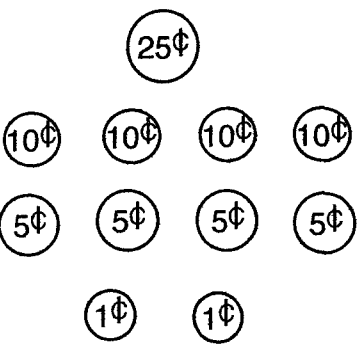
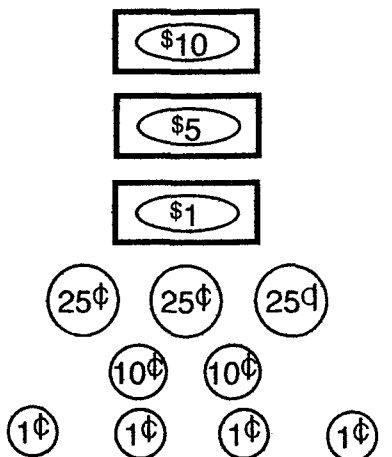
_____ will
also reap generously. Each man should
_____ what he has decided in his
_____ to give...for God loves a
_____ giver.

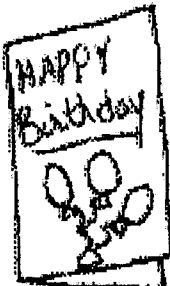


But store up for yourselves treasures in
heaven where moth and rust do not
destroy and where thieves do not break
in and steal. For where your treasure
is, there your heart will be also.



Calculate the amount of money in each square. Draw a line between the amount of money in each square on the left and the matching item price on the right.


	
	
	



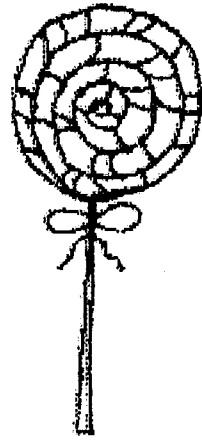
\$1.35



\$22.00




\$.75



\$.87



\$16.99



\$2.10